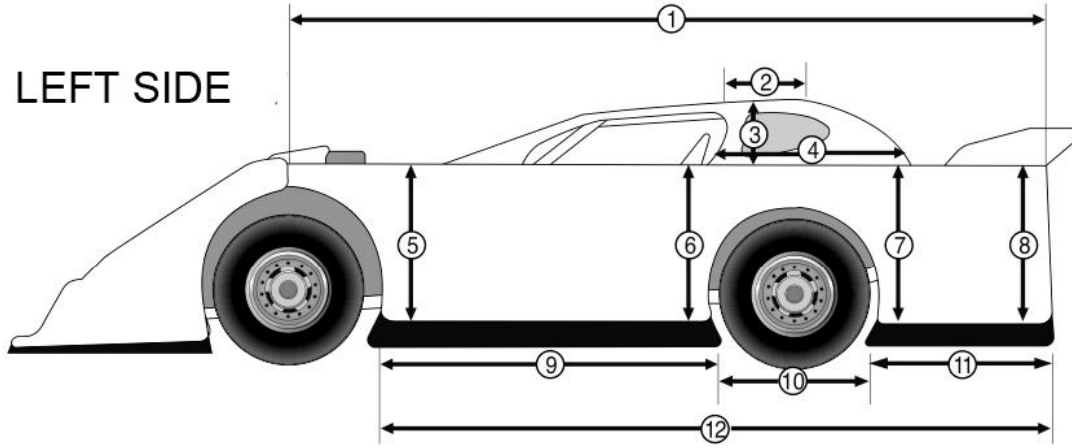
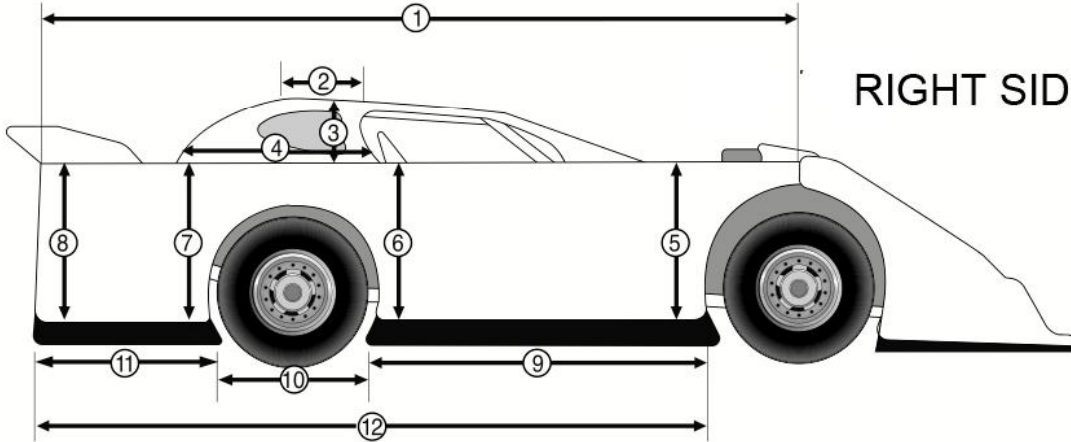


**LEFT SIDE**

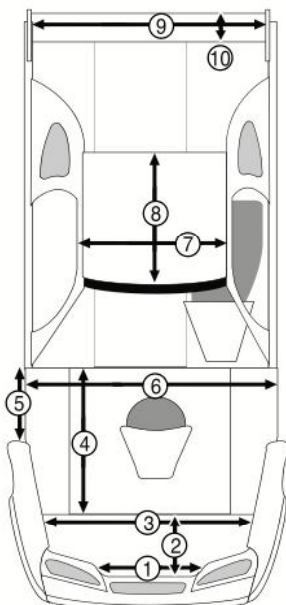


- |  |   |   |
|--|---|---|
| 1. _____<br>OVERALL LENGTH OF SIDE AT TOP OF CAR   | 5. _____<br>OVERALL HEIGHT OF DOOR AT THE FRONT         | 9. _____<br>OVERALL LENGTH AT BOTTOM OF DOOR              |
| 2. _____<br>OVERALL LENGTH AT TOP OF SAIL PANEL    | 6. _____<br>OVERALL HEIGHT OF DOOR AT THE BACK          | 10. _____<br>OVERALL LENGTH OF WHEEL WELL AT WIDEST POINT |
| 3. _____<br>HEIGHT OF SAIL PANEL AT FRONT          | 7. _____<br>OVERALL HEIGHT OF REAR QUARTER AT THE FRONT | 11. _____<br>OVERALL LENGTH AT BOTTOM OF REAR QUARTER     |
| 4. _____<br>OVERALL LENGTH AT BOTTOM OF SAIL PANEL | 8. _____<br>OVERALL HEIGHT OF REAR QUARTER AT THE BACK  | 12. _____<br>OVERALL LENGTH OF SIDE AT BOTTOM OF CAR      |

**RIGHT SIDE**



- |  |   |   |
|--|---|---|
| 1. _____<br>OVERALL LENGTH OF SIDE AT TOP OF CAR   | 5. _____<br>OVERALL HEIGHT OF DOOR AT THE FRONT         | 9. _____<br>OVERALL LENGTH AT BOTTOM OF DOOR              |
| 2. _____<br>OVERALL LENGTH AT TOP OF SAIL PANEL    | 6. _____<br>OVERALL HEIGHT OF DOOR AT THE BACK          | 10. _____<br>OVERALL LENGTH OF WHEEL WELL AT WIDEST POINT |
| 3. _____<br>HEIGHT OF SAIL PANEL AT FRONT          | 7. _____<br>OVERALL HEIGHT OF REAR QUARTER AT THE FRONT | 11. _____<br>OVERALL LENGTH AT BOTTOM OF REAR QUARTER     |
| 4. _____<br>OVERALL LENGTH AT BOTTOM OF SAIL PANEL | 8. _____<br>OVERALL HEIGHT OF REAR QUARTER AT THE BACK  | 12. _____<br>OVERALL LENGTH OF SIDE AT BOTTOM OF CAR      |



- |  |   |
|--|---|
| 1. _____<br>LENGTH FROM BACK OF HOOD TO EDGE OF FENDER | 6. _____<br>WIDTH OF HOOD AT BACK           |
| 2. _____<br>WIDTH OF FILLER PANEL AT THE BOTTOM        | 7. _____<br>WIDTH OF ROOF                   |
| 3. _____<br>LENGTH OF FILLER PANEL TO EDGE OF THE HOOD | 8. _____<br>LENGTH OF ROOF AT LONGEST POINT |
| 4. _____<br>WIDTH OF FILLER PANEL AT THE TOP           | 9. _____<br>LENGTH OF SPOILER               |
| 5. _____<br>LENGTH OF HOOD TO EDGE OF FILLER PANEL     | 10. _____<br>HEIGHT OF SPOILER              |

**DO NOT INCLUDE PLASTIC IN ANY OF THE MEASUREMENTS  
MEASURE TO NEAREST 1/4 OF AN INCH**



**DRIVER: \_\_\_\_\_**  
**SCAN AND EMAIL BACK TO**  
**kbcgraphix@mac.com**