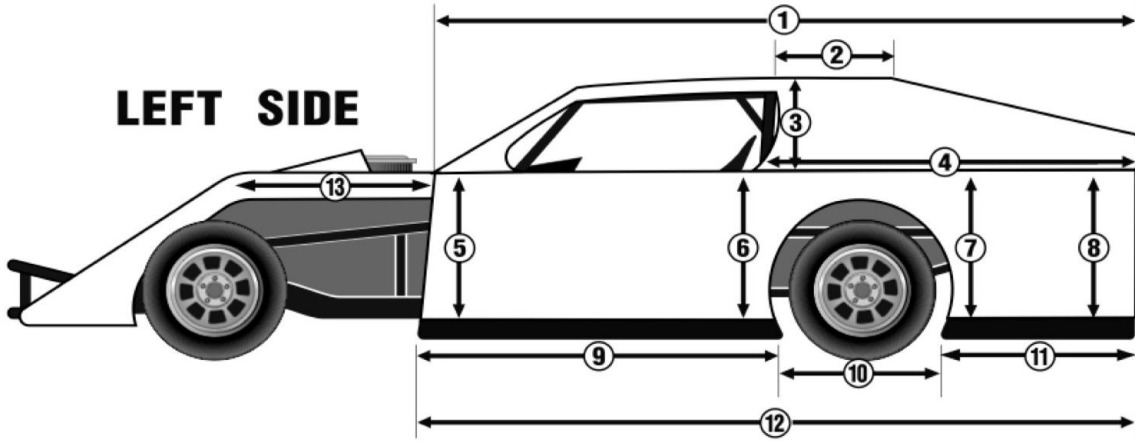
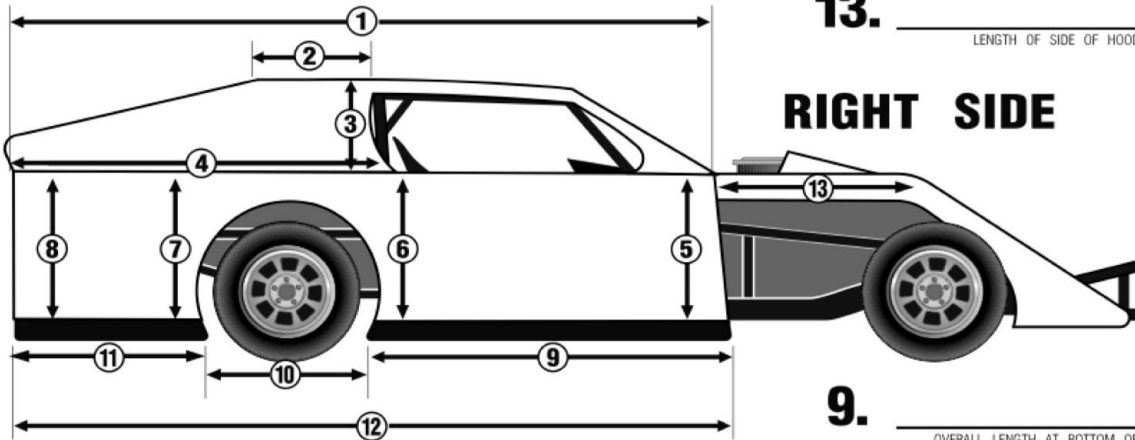


# LEFT SIDE

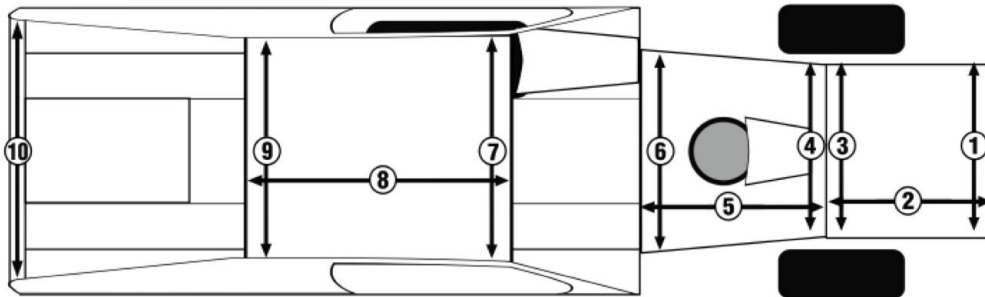


- 1. \_\_\_\_\_  
OVERALL LENGTH OF SIDE AT TOP OF CAR
- 2. \_\_\_\_\_  
OVERALL LENGTH AT TOP OF SAIL PANEL
- 3. \_\_\_\_\_  
HEIGHT OF SAIL PANEL AT FRONT
- 4. \_\_\_\_\_  
OVERALL LENGTH AT BOTTOM OF SAIL PANEL
- 5. \_\_\_\_\_  
OVERALL HEIGHT OF DOOR AT THE FRONT
- 6. \_\_\_\_\_  
OVERALL HEIGHT OF DOOR AT THE BACK
- 7. \_\_\_\_\_  
OVERALL HEIGHT OF REAR QUARTER AT THE FRONT
- 8. \_\_\_\_\_  
OVERALL HEIGHT OF REAR QUARTER AT THE BACK
- 9. \_\_\_\_\_  
OVERALL LENGTH AT BOTTOM OF DOOR
- 10. \_\_\_\_\_  
OVERALL LENGTH OF WHEEL WELL AT WIDEST POINT
- 11. \_\_\_\_\_  
OVERALL LENGTH AT BOTTOM OF REAR QUARTER
- 12. \_\_\_\_\_  
OVERALL LENGTH OF SIDE AT BOTTOM OF CAR
- 13. \_\_\_\_\_  
LENGTH OF SIDE OF HOOD

# RIGHT SIDE



- 1. \_\_\_\_\_  
OVERALL LENGTH OF SIDE AT TOP OF CAR
- 2. \_\_\_\_\_  
OVERALL LENGTH AT TOP OF SAIL PANEL
- 3. \_\_\_\_\_  
HEIGHT OF SAIL PANEL AT FRONT
- 4. \_\_\_\_\_  
OVERALL LENGTH AT BOTTOM OF SAIL PANEL
- 5. \_\_\_\_\_  
OVERALL HEIGHT OF DOOR AT THE FRONT
- 6. \_\_\_\_\_  
OVERALL HEIGHT OF DOOR AT THE BACK
- 7. \_\_\_\_\_  
OVERALL HEIGHT OF REAR QUARTER AT THE FRONT
- 8. \_\_\_\_\_  
OVERALL HEIGHT OF REAR QUARTER AT THE BACK
- 9. \_\_\_\_\_  
OVERALL LENGTH AT BOTTOM OF DOOR
- 10. \_\_\_\_\_  
OVERALL LENGTH OF WHEEL WELL AT WIDEST POINT
- 11. \_\_\_\_\_  
OVERALL LENGTH AT BOTTOM OF REAR QUARTER
- 12. \_\_\_\_\_  
OVERALL LENGTH OF SIDE AT BOTTOM OF CAR
- 13. \_\_\_\_\_  
LENGTH OF SIDE OF HOOD



- 1. \_\_\_\_\_  
WIDTH OF NOSE AT THE BOTTOM
  - 2. \_\_\_\_\_  
LENGTH OF NOSE TO EDGE OF THE HOOD
  - 3. \_\_\_\_\_  
WIDTH OF NOSE AT THE TOP
  - 4. \_\_\_\_\_  
WIDTH OF HOOD AT FRONT
  - 5. \_\_\_\_\_  
LENGTH OF HOOD TO EDGE OF THE NOSE
  - 6. \_\_\_\_\_  
WIDTH OF HOOD AT BACK
  - 7. \_\_\_\_\_  
WIDTH OF ROOF AT FRONT
  - 8. \_\_\_\_\_  
LENGTH OF ROOF AT LONGEST POINT
  - 9. \_\_\_\_\_  
WIDTH OF ROOF AT REAR
  - 10. \_\_\_\_\_  
OVERALL WIDTH OF SPOILER (HEIGHT IF NOT 5in.)
- DO NOT INCLUDE PLASTIC IN ANY OF THE MEASUREMENTS  
MEASURE TO NEAREST 1/8 OF AN INCH



**DRIVER:** \_\_\_\_\_

**SCAN AND EMAIL BACK TO**  
**kbcgraphix@mac.com**